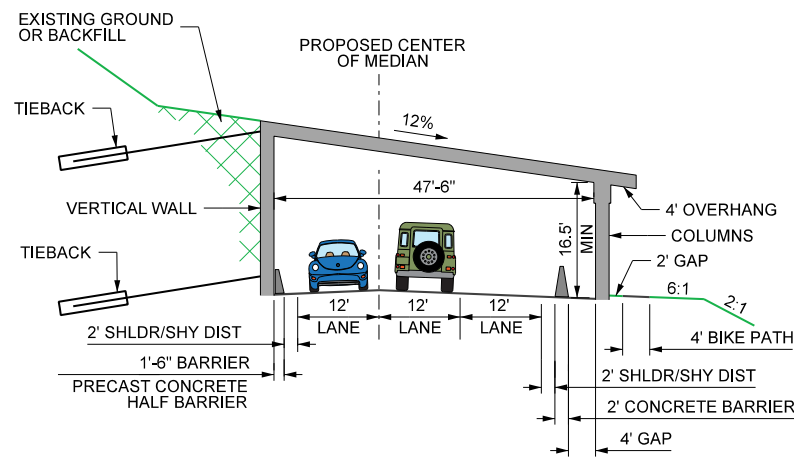


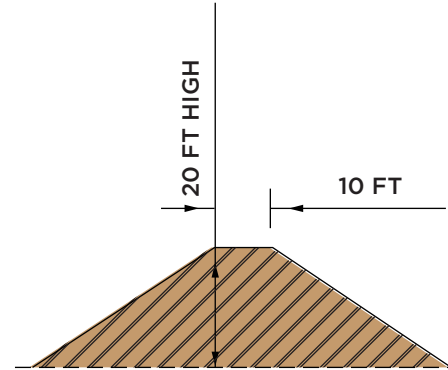
AVALANCHE MITIGATION ALTERNATIVES

ALTERNATIVE	Total length (Feet)	Impacts (Properties)		Costs (\$ Millions)
		Relocations	Section 4(f)	Capital costs
SNOW SHEDS WITH BERMS	2,465	0 Residential	1 Sites	\$72
SNOW SHEDS WITH REALIGNED ROAD AND NO BERMS	3,194	0 Residential	1 Sites	\$86

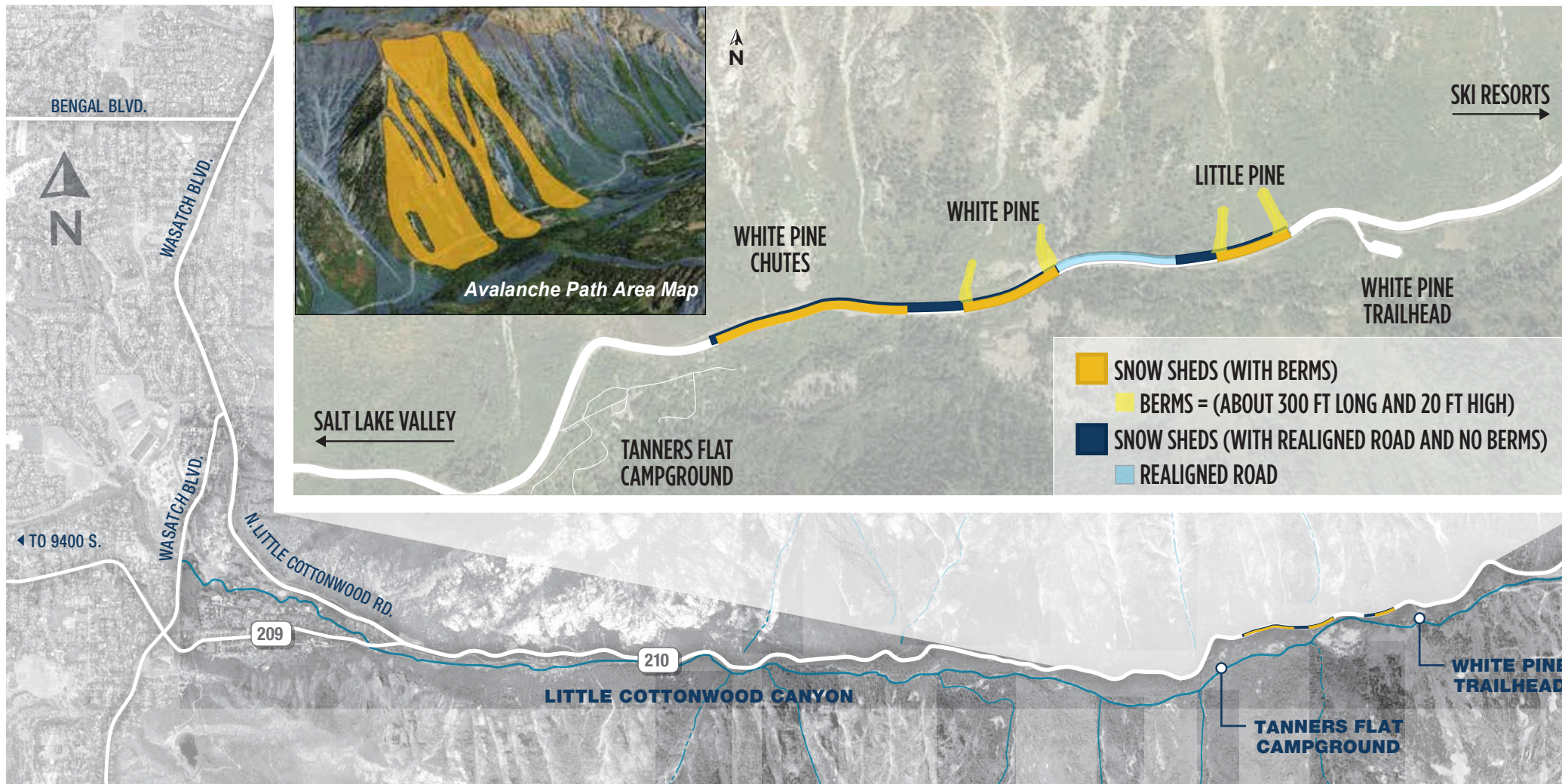
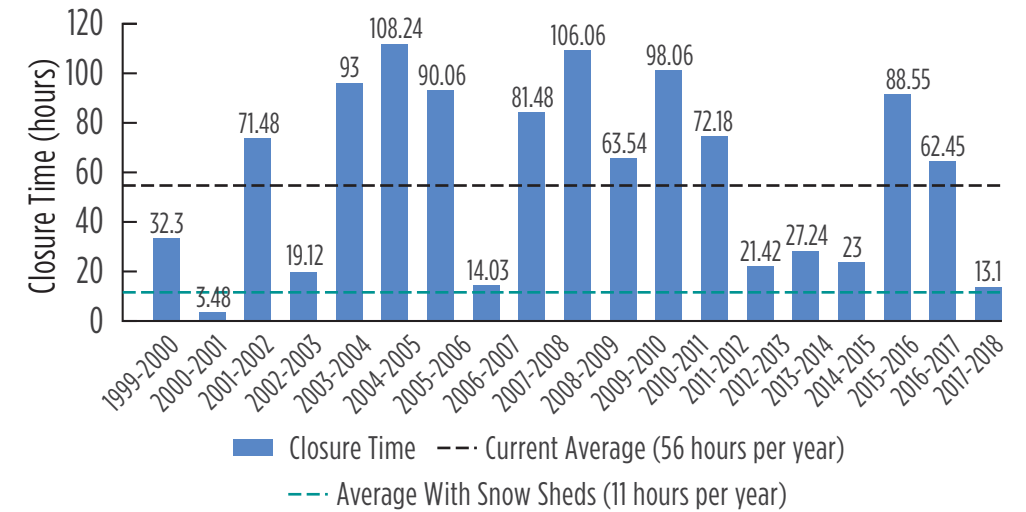
SNOW SHED CROSS-SECTION



EARTHEN BERM CROSS-SECTION



YEARLY LCC CLOSURE HOURS DUE TO AVALANCHE MITIGATION



CURRENT AVALANCHE HAZARD INDEX

Hazard Category	AHI
Very Low	Less than 1
Low	1 to 10
Moderate	10 to 40
High	40 to 150
Very High	Greater than 150

Snow shed AHI=59
 Current AHI=90 (Mitigated)
 AHI=7,304 (Unmitigated)

